

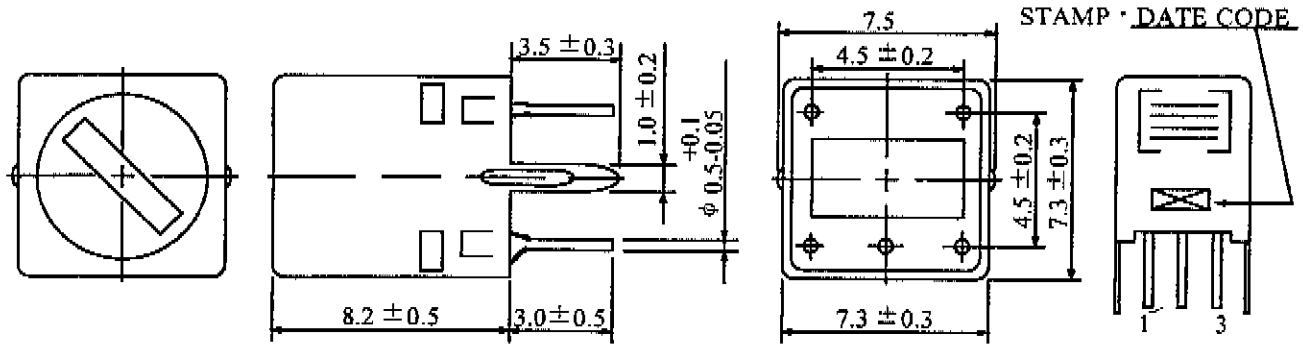
SPECIFICATION

CUSTOMER: *ECOM*

DATE: *5th, May., 2001*

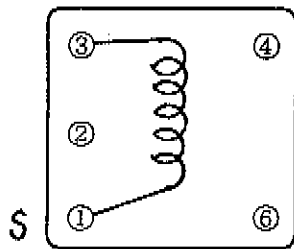
PART NO.	SUMIDA TYPE PG78	SAMPLE NO. 2175-T048
----------	------------------	----------------------

1. DIMENSION (UNIT mm)



- * DIMENSION DOES NOT INCLUDE SOLDER USED ON COIL.
- * TERMINAL PITCH IS MESURED AT THE BASE. (NOT FROM TIP OF THE PIN.)
- * DIMENSION WITHOUT TOLERANCE ARE APPROX.

2. CONNECTION (BOTTOM)



"S" IS WINGING START

3. TURNS, WIRE AND CORE

PIN No.	1-3	-	-	-
TURN	96 T	T	T	T
WIRE	0.06 VEW			
D. CORE	D8 OR EQUIVALENT			
C. CORE	R1C OR EQUIVALENT			

4. ELECTRICAL CHARACTERISTICS

	(1-3)	MEASURING FREQUENCY
1. FREQUENCY	465kHz ± 2 % VARIABLE	_____
2. UNLOADED Q	MIN. 55	465 kHz
3. CAPACITY (EXT.)	430 pF	_____
EXT. STRAY CAPACITY 0 pF BETWEEN (1-3) AT MEASURING.		

5. NOTE

□ REVISIONS

①	
②	

CHK	CHK	DRG
YI		Zheng
@	QUAN	Wei Dong